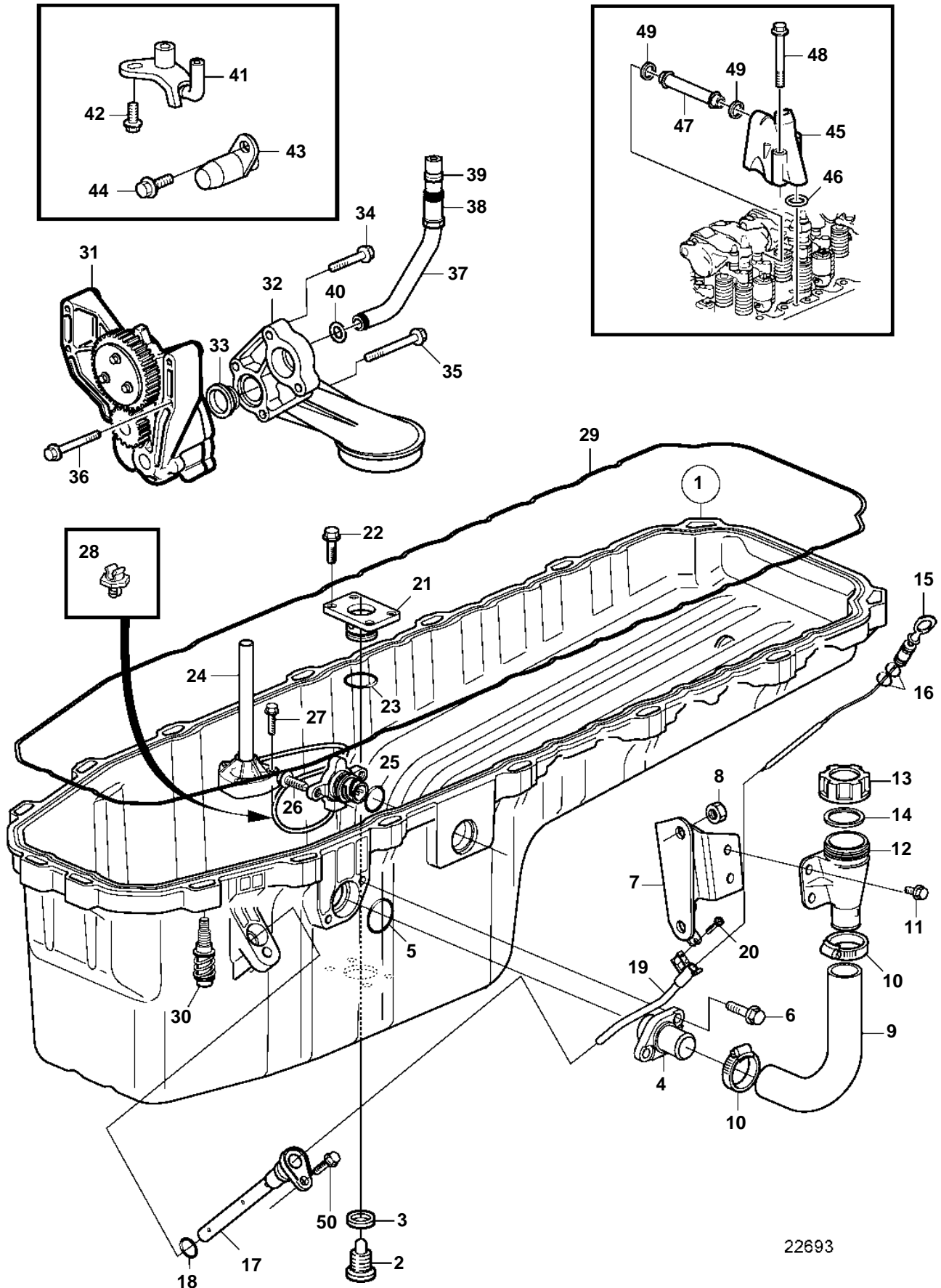


TAD1250VE, TAD1251VE, TAD1252VE



TAD1250VE, TAD1251VE, TAD1252VE

REF	PART NO.	QTY	DESCRIPTION	SEE SEC.	NOTES
1	20702520	1	Oil pan		
2	20571854	1	• Plug		(20556987)
3	20579690	1	• Gasket		
4	20462497	1	Connection pipe		
5	20555696	1	Sealing ring		
6	946440	2	Flange screw		
7	3807087	1	Bracket		
8	977938	2	Flange lock nut		
9	3831383	1	Hose		
10	943476	2	Hose clamp		
11	945444	2	Flange screw		
12	20808091	1	Oil filler pipe		
13	20807510	1	Oil filler cap		
14	20365079	1	• Gasket		
15	3807083	1	Oil dipstick		
16	949187	2	• O-ring		
17	20724256	1	Tube		
18	949656	1	• O-ring		
19	3807085	1	Tube		
20	975371	1	6 point socket screw		
21	20586869	1	Retainer		
22	966378	4	Flange screw		
23	20586720	1	O-ring		
24	24424110	1	Sender		
25	944126	1	• O-ring		
26	946934	2	Flange screw		
27	948356	3	Screw		
28	20700754	3	Clip		
29	20532272	1	Sealing strip		
30	20463185	16	Flange screw		
31	8170261	1	Oil pump		
				4618	
32	8170878	1	Suction pipe		
33	465784	1	Sealing ring		
34	965180	3	Flange screw		L=60mm
35	968842	1	Flange screw		L=110mm
36	471734	4	Screw		
37	20411298	1	Pressure pipe		
38		1	• Nut		
39		1	• Ferrule		
40	8170558	1	Sealing ring		
41	3155151	6	Jet		
42	966378	6	Flange screw		
43	8170583	1	Nozzle, transmission		
44	471586	1	Screw		
45	8170702	1	Intermediate section		
46	1636309	1	Sealing ring		
47	8193971	1	Outlet pipe		
48	3165142	2	Flange screw		
49	1677370	2	Sealing ring		
50	966378	1	Flange screw		